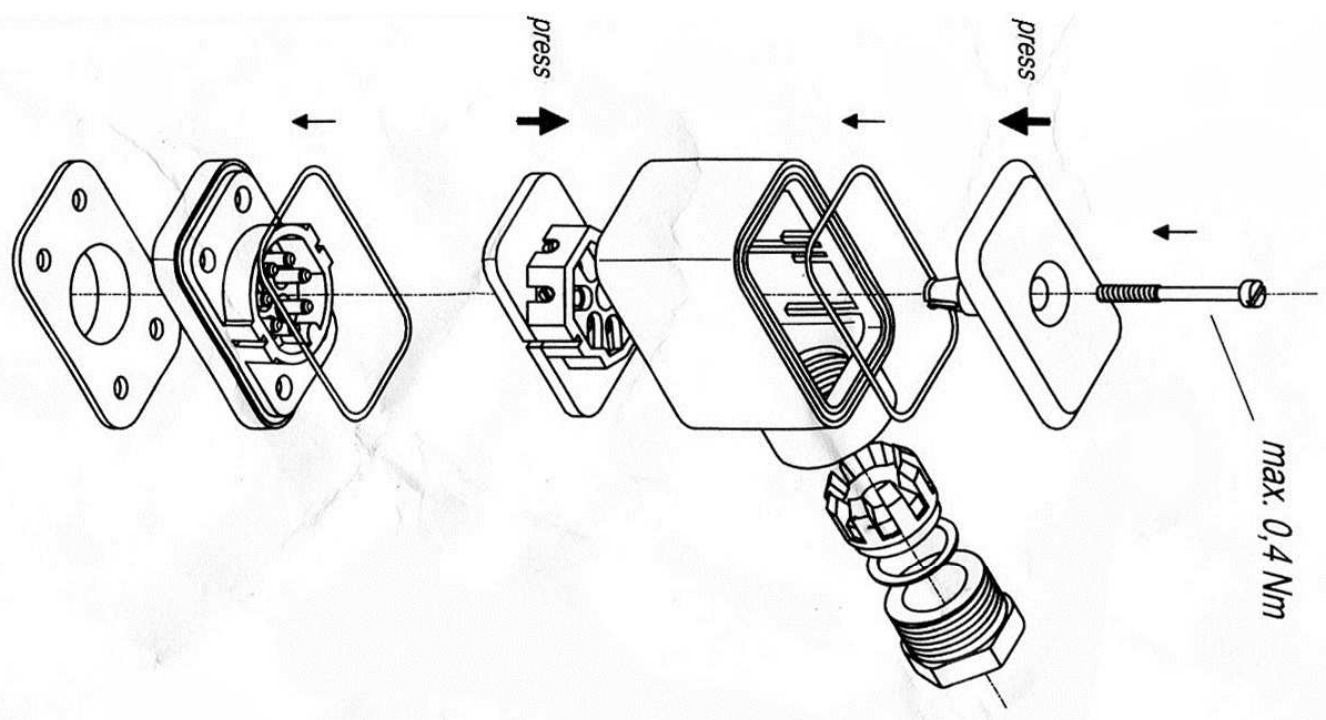


Montage
assembly



Demontage
disassembly

